



Key Features

Sony 1/3" Super HAD Color CCD

Minimum Illumination 0.5 Lux @ F1.2

S/N Ratio: More than 48dB

4.0 ~ 9.0mm Varifocal Lens

Available in 12VDC or 24VAC models

External Lens Adjustment

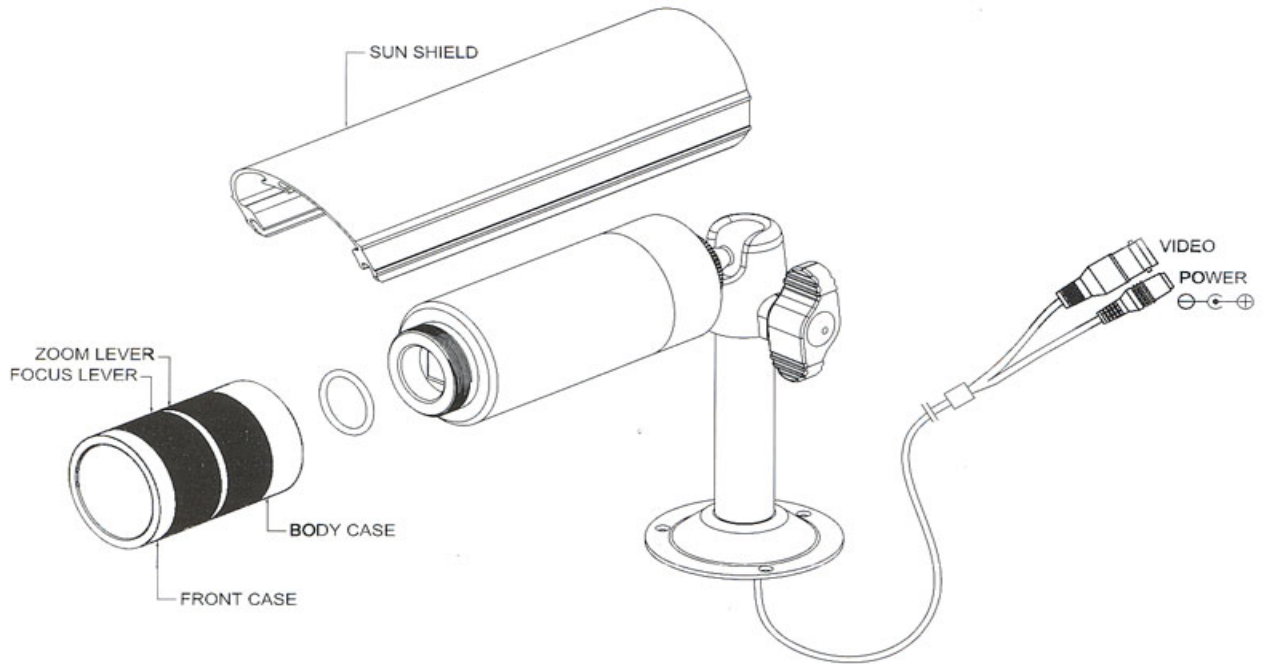


Specifications

Image Sensor	1/3" Sony Super HAD High-Res Color CCD
Effective Pixels	768H x 494V (380k Pixels)
Resolution	480 TV Lines
Scanning System	525 Lines, 2:1 Interlace
Scanning Frequency	15.734KHz (H) 59.94Hz (V)
Min. Illumination	0.5 Lux @ F1.2
Lens	Vari-Focal Fixed Iris 4.0 ~ 9.0mm @ F1.6
S/N Ratio	More Than 48dB (AGC Off)
White Balance	ATW
Backlight Compensation	On
Shutter Speeds	1/60 ~ 1/100,000 Sec
AGC	Built-in
Power Supply	DC12V PVBCC-49AIDC Only
	24VAC PVBCC-49AIAC Only
Power Consumption	Max 150mA (DC12V) / Max 80 mA (AC24V)
Operating Temperature	(-10° ~ +50° C)



Product Break Down



Dimensions

