

PRODUCT SPECIFICATION



EAPS1295

12VDC 9 Output 5AMP Power Supply

Key Features

110~120 Volts AC

Parallel CCTV camera connection

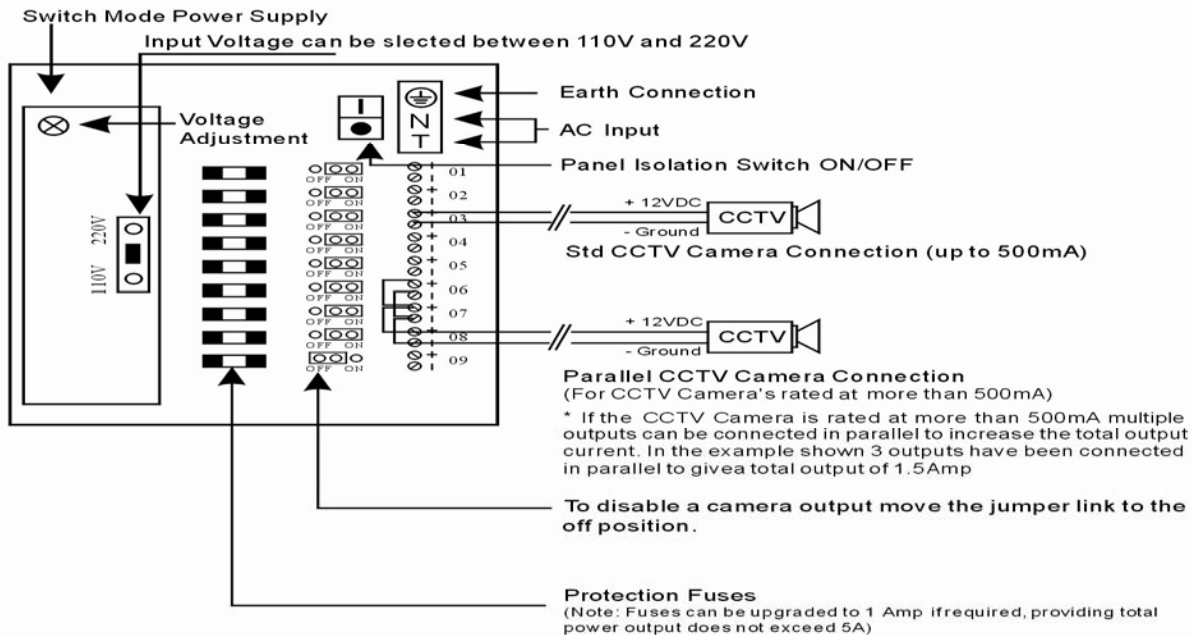
5 Amp



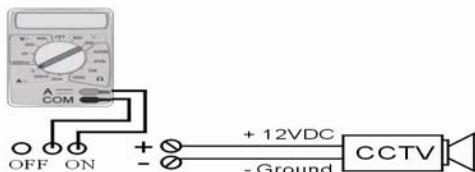
Specifications

12VDC 9 OUTPUT SWITCH MODE CCTV POWER SUPPLY

Connection Diagram:



Test & Measurement:



To determine the current(A) draw of a camera remove the jumper link, set your meter to $\overline{\text{A}}$ / Amps DC, and with the camera connected measure the current across the ON and COMMON terminals.



LED Fuse Status Indicator
LED ON = Fuse OK
LED OFF = Fuse Fault

Specifications:

Input Voltage: AC100~120V
AC220~240V
Output Current: 9 x 500mA fused outlets (5A Max)
Output Power: 60W
Dimensions(mm): 240(L) x 210(W) x 65(H)

* For Indoor Use Only