



Color Lens Strobe Attachment

The System Sensor color lens attachments are easy to install to any indoor or outdoor SpectrAlert® Advance strobe devices to provide distinctive visual signaling.



Features

- Available in four colors — amber, blue, green and red
- Easily attaches to any non-FIRE-printed SpectrAlert Advance strobe
- Outdoor rated from –35°F to 151°F
- Wall- or ceiling-mount lenses available
- Applications include mass notification, severe weather, emergency response and more
- UL 1638 listed

The System Sensor SpectrAlert Advance color lens attachments come in four colors—amber, blue, green and red—for mass notification, severe weather, emergency response and other non-fire applications. The lenses easily attach to any plain (non-FIRE-printed) SpectrAlert Advance strobes horn strobes, speaker strobes and strobe-only devices. The lenses may be used with wall or ceiling strobes in indoor or outdoor applications.

Each lens ships with a clear adhesive on the bottom surface. The lens is then aligned with the clear strobe and applied.

Agency Listings



S3593



7300-1653:204

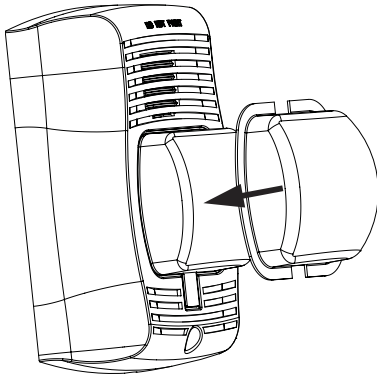
SpectrAlert® Advance Color Lens Strobe Attachment Specifications

Architectural/Engineering Specifications

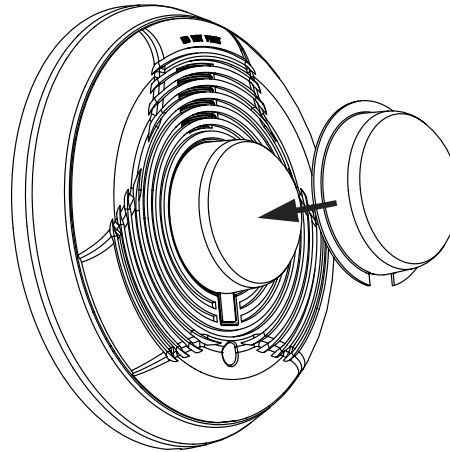
The System Sensor SpectrAlert Advance color lens attachments shall be approved for fire protective service as listed in UL 1638. The lens attachments shall only be used with non-FIRE-printed System Sensor strobe devices. The lens shall mount to any wall- or ceiling-mount strobes and shall be rated from -35°F to 151°F.

Lens Installation

Installation to Wall-Mount Strobe



Installation to Ceiling-Mount Strobe



Candela Rating for UL 1638

Light output of color lenses is measured per UL 1638, on axis, and is not derated.

Strobe Output (cd)	
Candela Switch Setting	On-Axis Candela Rating (UL1638) – All Colors
15	15
15/75*	NA
30	30
75	75
95	95
110	110
115	115
135	135
150	150
177	177
185	185

*15/75 Candela setting not to be used with color lenses

Ordering Information

Part No.	Description
LENS-B	Wall-mount lens attachment, blue
LENS-R	Wall-mount lens attachment, red
LENS-G	Wall-mount lens attachment, green
LENS-A	Wall-mount lens attachment, amber
LENS-BC	Ceiling-mount lens attachment, blue
LENS-RC	Ceiling-mount lens attachment, red
LENS-GC	Ceiling-mount lens attachment, green
LENS-AC	Ceiling-mount lens attachment, amber

Color lens attachments may be used with the following System Sensor plain (non-FIRE-printed) indoor or outdoor strobe models: SR-P, SRH-P, SW-P, SWH-P, P2R-P, P2W-P, P2WH-P, P2RK-P, P2RHK-P, SCW-P, PC2R-P, PC2W-P, PC2WH-P, SPSW-P, SPSR-P, SPSWH-P, SPSRH-P, SPSWV-P, SPSRV-P, SPSCW-P, SPSCWH-P, SPSCWV-P, SPSCWVH-P, SRK-P, SRHK-P, SWK-P, SWHK-P, P2WK-P, P2WHK-P, SPSWK-P, SPSRK-P, SW-CLR-ALERT, SCW-CLR-ALERT, SPSCW-CLR-ALERT.



3825 Ohio Avenue • St. Charles, IL 60174
Phone: 800-SENSOR2 • Fax: 630-377-6495

©2009 System Sensor.
Product specifications subject to change without notice. Visit systemsensor.com for current product information, including the latest version of this data sheet.
A05-0439-002 • 04/09 • #2133