



## Intelligent Photoelectric Smoke Detector for Difficult Environments

*Filtrex® provides protection in dirty, dusty environments that tend to cause false alarms with standard smoke detectors.*



**FILTREX®**

### Features

---

- Intelligent communications
- High density filter removes particulate down to 32 microns
- Air delivery system is separately powered and fully supervised
- Filter is easily field replaceable
- Resistant to water spray in applications where occasional hose-down cleaning is performed
- Optional remote LED accessory
- Rotary decade address switches
- Compatible with 200 and 500 Series products' protocol
- No modification required to panels compatible with System Sensor intelligent photoelectric smoke detectors

**The Filtrex smoke detector** from System Sensor provides early warning smoke detection in difficult environments where traditional smoke detectors are not practical.

### Operation:

Using a small air intake fan and a high density replaceable filter, air and smoke are drawn into a photoelectric sensing chamber while airborne particulate and water spray are removed. When the filter becomes too clogged to draw adequate air into the sensing chamber, power is cut from the detector, causing a trouble signal at the fire alarm control panel. When the filter is replaced, power-up is automatic.

### Applications:

Animal research facilities  
Institutional laundry facilities  
Amusement parks  
Zoos  
Performance theatres  
Loading docks  
Paper mills  
Textile mills

### Agency Listings

---



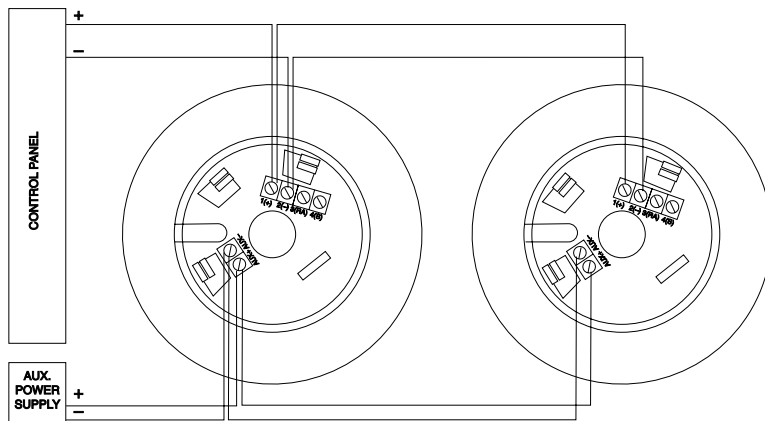
LISTED

S911

## Specifications, Filtrex® Smoke Detector

Physical/Operating Specifications	
Size	3.5 in (8.9 cm) H × 6.1 in (15.5 cm) Dia. in B501B-FTX base
Weight	7.3 oz. (207 grams)
Temperature Range	32°F to 122°F (0°C to 50° C)
Humidity Range	10% to 93% noncondensing
Air Intake Fan	On 5 seconds every 30 seconds
Filter	Airflow checked every 4 hours
Electrical Specifications	
Signaling Line Circuit Supply Range	15 to 32 VDC
Detector Current (max. avg.)	250 $\mu$ A @ 24 VDC (without communication) 360 $\mu$ A @ 24 VDC (one communication every 5 seconds with LED enabled)
External/Auxiliary Power Supply Voltage Range	15 to 30 VDC (filtered)
External/Auxiliary Power Supply Maximum Current	123 mA
External/Auxiliary Power Supply Avg. Current	27 mA

## Wiring Diagram



## Ordering Information

Part No.	Description
FTX-P1	Photoelectric smoke detector
FTX-P1A	Photoelectric smoke detector, (Canadian)
Bases	
B501B-FTX	Flanged adapter base, 6.1 in (15.5 cm)
B501B-FTXA	Flanged adapter base, 6.1 in (15.5 cm), (Canadian)
Accessories	
RF-FTX	Replacement filter cover assembly (6 pack)
RA400Z	Remote LED annunciator, fits U.S. single gang electrical box
M02-04-01	Test magnet
M02-09-00	Test magnet with telescoping handle



3825 Ohio Avenue • St. Charles, IL 60174  
Phone: 800-SENSOR2 • Fax: 630-377-6495

©2008 System Sensor.  
Product specifications subject to change without notice. Visit [systemsensor.com](http://systemsensor.com) for current product information, including the latest version of this data sheet.  
A05-0985-002 • 11/07 • #1676